



Symbol for Perfection

MULTI MOWERS SERIES ZW

Multi Mowers • Series ZW



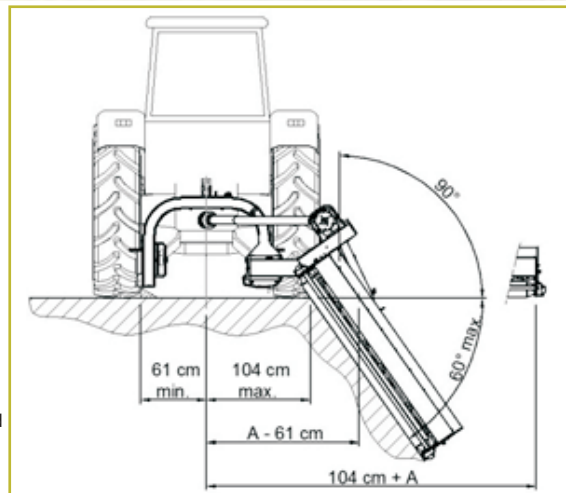
ZW Multi Mowers are ideal for topping, estate maintenance, field borders, ditches, embankments, hedges etc., cutting around trees and other obstacles on the verge with minimum tractor road width required because of the large offset.

They have a hydraulic offset possibility of 165 cm / 5'5" (front models 110 cm / 3'7") and can work both partially behind the tractor and fully offset.

The working range of the cutting head is hydraulically adjustable from +90° to -60°.

The clever location of the gearbox and the cutting head joint allows for maximum use of the cutting width in any working position. The reliable, powerful and flexible drive system includes a heavy oilbath gearbox and 3 or 4 V-belts.

The dimensions are connected with the 3-pt. models.
With front mounted models, the offset is 30 cm (12") less.



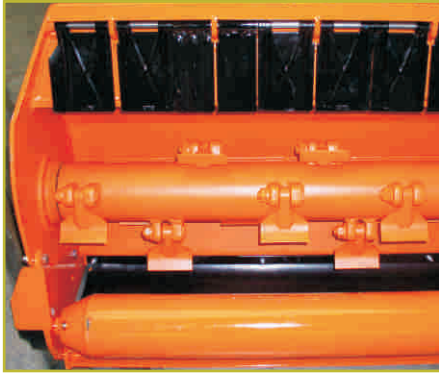
Specifications		ZW-150	ZW-180	ZW-210	ZW-240
Cutting width	cm/ft	150/4'11"	180/5'11"	210/6'11"	240/7'11"
PTO speed	rpm	540	540	540	540
Flail rotor speed	rpm	2075	2075	2075	2075
Minimum power requirements	kW/HP	37 / 50	44 / 60	51 / 70	59 / 80
Flails 0,8 kg = 1 ³ / ₄ lb		16	18	22	24
Overall transport width	cm/ft	140/4'7"	140/4'7"	140/4'7"	140/4'7"
Tractor 3 pt. linkage	cat.	II	II	II	II
Weight	kg/lbs	735/1620	780/1720	825/1820	900/1985
Offset from tractor centerline					
Minimum	cm/ft	90/2'11"	120/3'11"	150/5'9"	180/5'11"
Maximum	cm/ft	255/8'4"	285/9'4"	315/10'4"	345/11'4"
Offset from tractor centerline (front models)					
Minimum	cm/ft	115/3'9"	145/4'9"	175/5'9"	205/6'9"
Maximum	cm/ft	225/7'5"	255/8'4"	285/9'5"	315/11'6"



To protect the bearings of the rear roller, the bearings are fitted with unique covers to prevent humidity, dust and mud from entering.

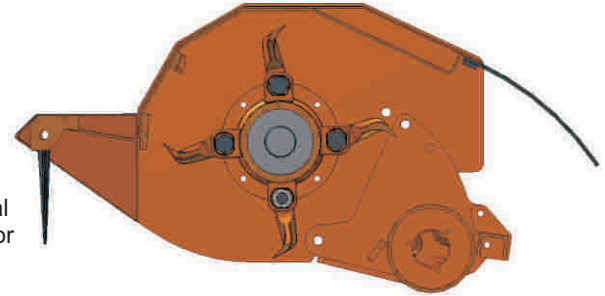
Power requirements depend entirely on the type of work. A PTO shaft with overload protection clutch must be used in case of oversized tractors.

MULTI MOWERS SERIES ZW



The 0,8 kg (1¾ lb) special flails with single cutting edges ensure clean and finest cut of grass, rushes, reed stems, pruning etc. up to 3 cm (1¼").

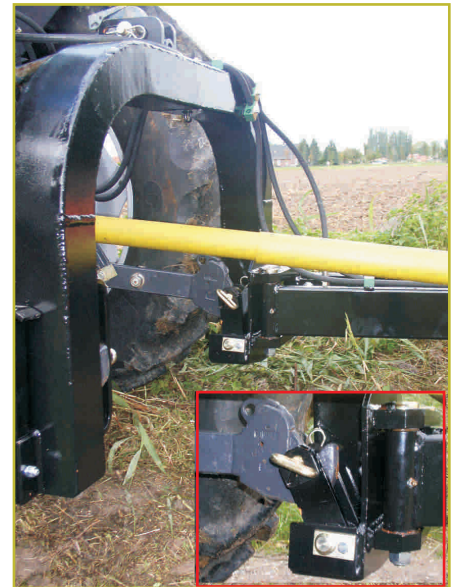
They are fitted to the electronically balanced vibration-free flail rotor with heavy bolts and replaceable steel bushes.



The main body of the cutting head is fitted with a twin skin metal plate construction with reinforcements at key mounting points for utmost security and durability.



"Perfect" has designed a special heavy-duty headstock and offset device to transmit the weight of the cutting head to the tractor.



The headstock incorporates a break bolt protected safety breakaway system that allows the cutting head in case of collision to pivot clear and then reset automatically.



All "Perfect" Multi Mowers are also available as front mounted and/ or left hand models.



VAN WAMEL B.V.



Energieweg 1 - P.O. Boxh 4
6658 ZG Beneden-Leeuwen
HOLLAND
Tel. + 31 (0)487-592944
Fax. +31 (0)487-592970
Email: perfect@vanwamel.nl

www.vanwamel.nl



Technical specifications can be changed without prior notice